



PEABODY
engineering
No Boundaries.™

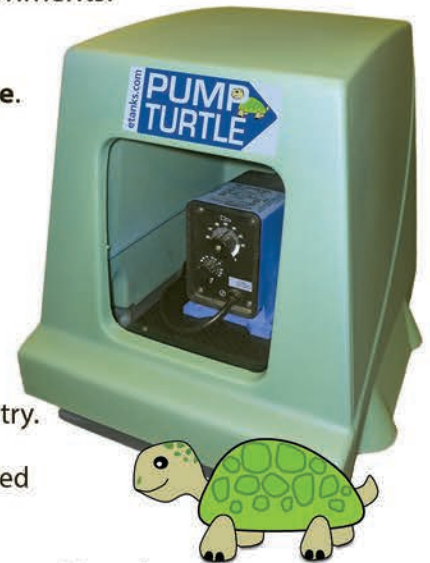
Pump Turtle™ - NEW Product

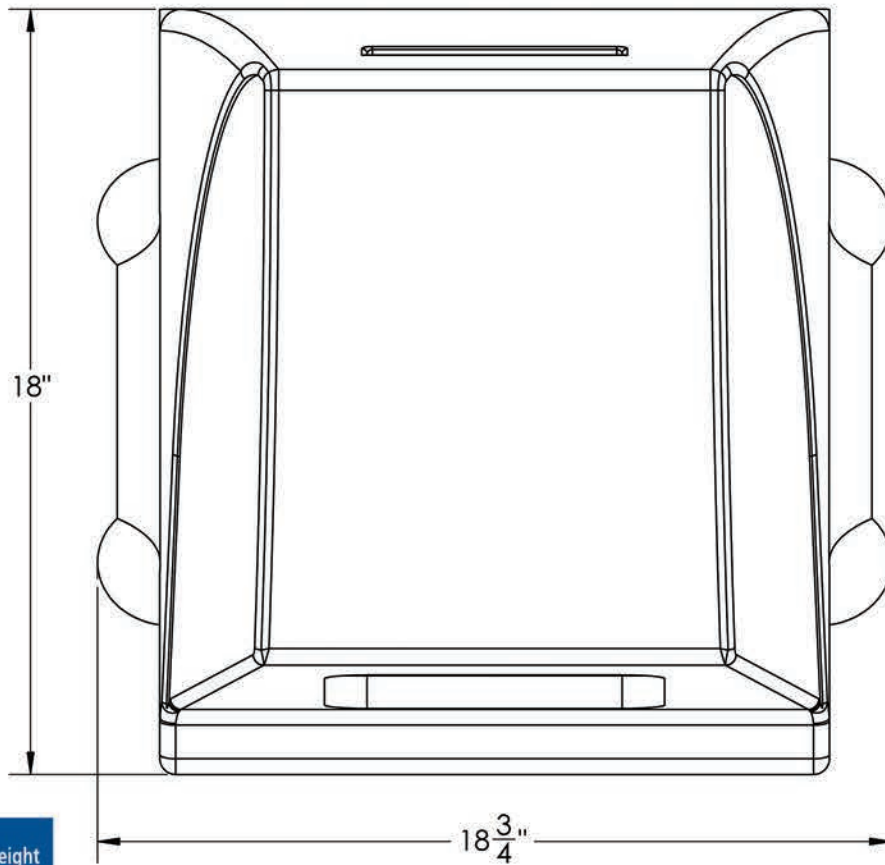
(Patent Pending)

PUMP TURTLE™ PUMP TURTLE™ PUMP TURTLE™ PUMP TURTLE™ PUMP TURTLE™ PUMP TURTLE™ PUMP TURTLE™ PUMP TURTLE™

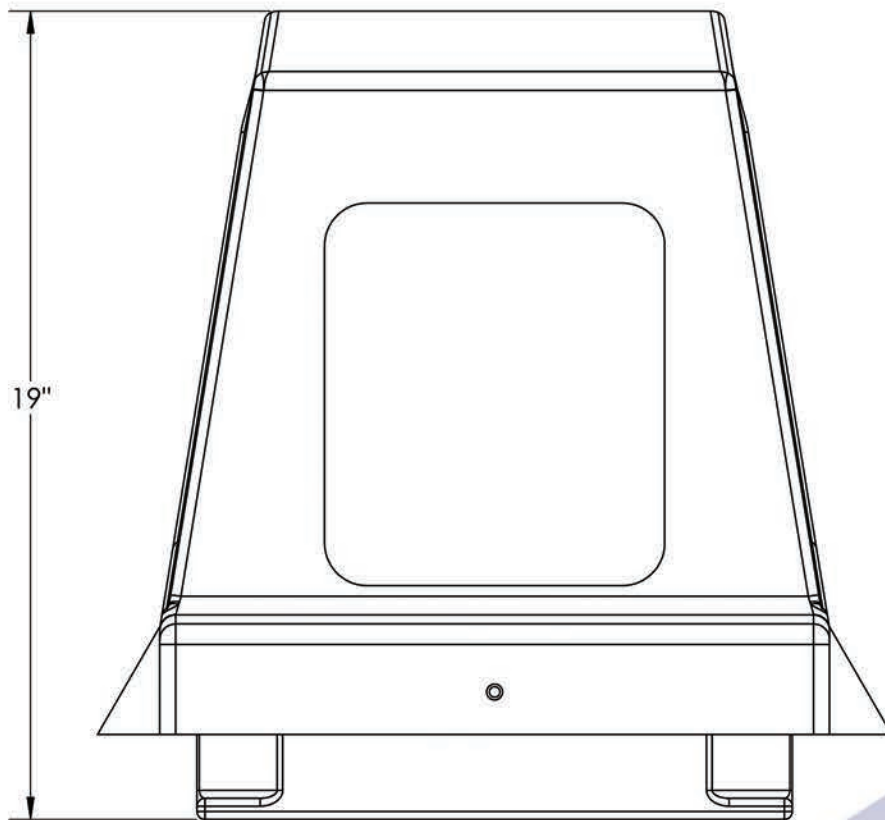
The Pump Turtle™ is a pump containment enclosure designed to keep your products safe and secure in field or in-plant chemical applications. This cost-effective enclosure holds a single chemical metering pump and is constructed of UV stabilized and chemical-resistant linear polyethylene for longevity in harsh chemical and weather environments.

- Lightweight and durable, **designed for years of trouble-free service.**
- 2-piece construction with removable "shell" which covers your pump.
- Weather-resistant enclosure keeps equipment clean and dry.
- Features a large view window for pump monitoring.
- Top (shell) easily attaches to the base with (3) screws.
- Optional Security Kit **keeps your equipment secure** from unauthorized entry.
- The sump base **captures spills** from leaking pumps or tubing and the elevated pump pad keeps your pump above liquids.
- The sump drain port is designed to connect the Pump Turtle to a tank or drum to safely collect any leaking chemicals, thereby **protecting workers and the environment** from exposure to hazardous chemical contamination.
- Intuitive design features (4) weather resistant access ports around the base for easy plumbing of tubing and electrical connections.
- Special bottom discharge port allows for ease of plumbing to pump suction.
- Vented Shell design allows for thermal exhaust.
- Sump Base is designed with integral threaded inserts for easy mounting on a base plate, stand or wall bracket.
- Custom Colors and Branding available for enhancing your corporate image.
- This innovative enclosure is a cost effective solution for insuring **Best Practices** in dealing with chemicals in your work environment and keep you Environmentally responsible.





Part Number	Dimensions (W x L x H)	Weight
253-31434	18" x 18.75" x 19"	10



PEABODY
engineering
No Boundaries.™



DISTRIBUTED BY

13435 Estelle Street Corona, CA 92879 | ph: 951-734-7711 | fx: 951-734-4111
Sales@etanks.com | www.etanks.com

© 2014 Peabody Engineering & Supply, Inc. All rights reserved. Patent Pending. PT102014
Matthew 5:16